

LOCATION MAP

Triangle Road Shallow Aquifer Recharge Project Walla Walla Basin Watershed Council

INDEX OF DRAWINGS

SHEET NO.	TITLE
1	Cover Sheet & Location Map
2	Plan View
3	Details 1
4	Details 2

GENERAL NOTES

1. The attached Material and Installation Specifications are part of this plan and shall govern the installation of this project.
2. This installation shall be constructed to the lines and grades as shown on the drawings and detailed in the construction specifications.
3. Construction activities shall be performed in a manner that minimizes soil, water, and air pollution.
4. Construction activities will be conducted in a manner consistent with all safety regulations for work activities necessary for this installation.
5. No representation is made of any utilities, public or private. Absence of utilities on these drawings does not assure that no utilities are present. If buried utilities are shown, the location and depth are approximate. The exact location and depth of any utility must be determined by the utility company prior to any excavation.
6. Contractor is responsible for acquiring and complying with all permits.

UTILITIES

Oregon State Law requires Owners and Operators to notify utilities two business days before construction begins to have underground utilities located. To comply with the law call the Utilities Underground Location Center at: 1-800-332-2344

Review and Acceptance

I have reviewed the Drawings and Construction specifications provided and find them to be acceptable for installation. I also acknowledge that any modifications shall be approved by the Engineer prior to installation. I also acknowledge that I have received a copy of this plan.

Owner

Date

Cover Sheet

Lance Horning
Engineering
Corvallis, OR 97333
(509) 595-8990

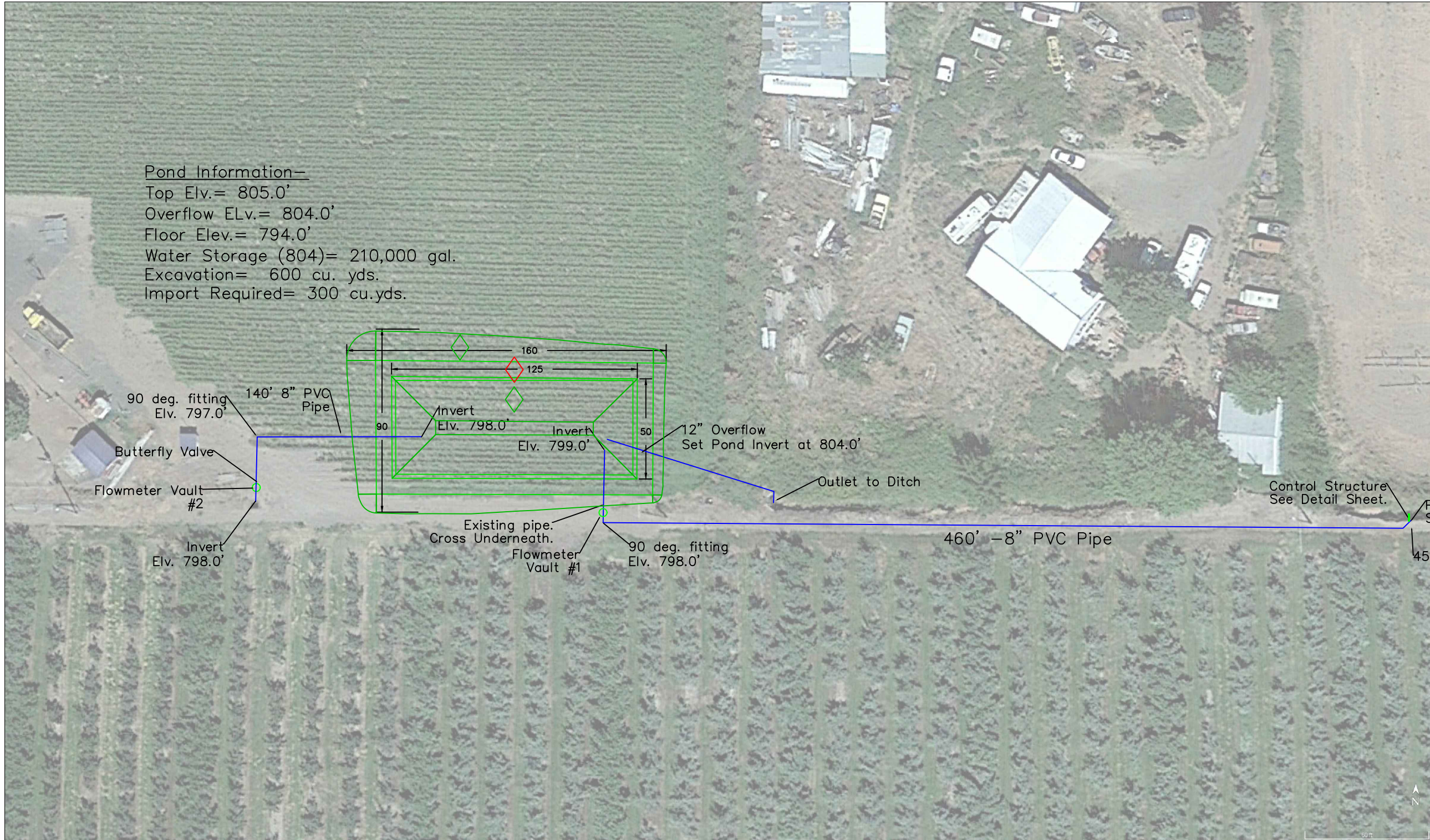
DESIGNED BY: LH
DRAWN BY: _____
CHECKED BY: _____
APPROVED BY: _____
REVISED BY: _____
SCALE: _____
DATE: _____
REVISED DATE: 10/28/16

Triangle Road Shallow Aquifer Recharge Project
Walla Walla Basin Watershed Council
Milton Freewater, OR

SIGNATURE: _____

SHEET: 1
SHEET NO. 1 OF 4

Pond Information—
 Top Elv.= 805.0'
 Overflow ELv.= 804.0'
 Floor Elev.= 794.0'
 Water Storage (804)= 210,000 gal.
 Excavation= 600 cu. yds.
 Import Required= 300 cu.yds.



Plan View

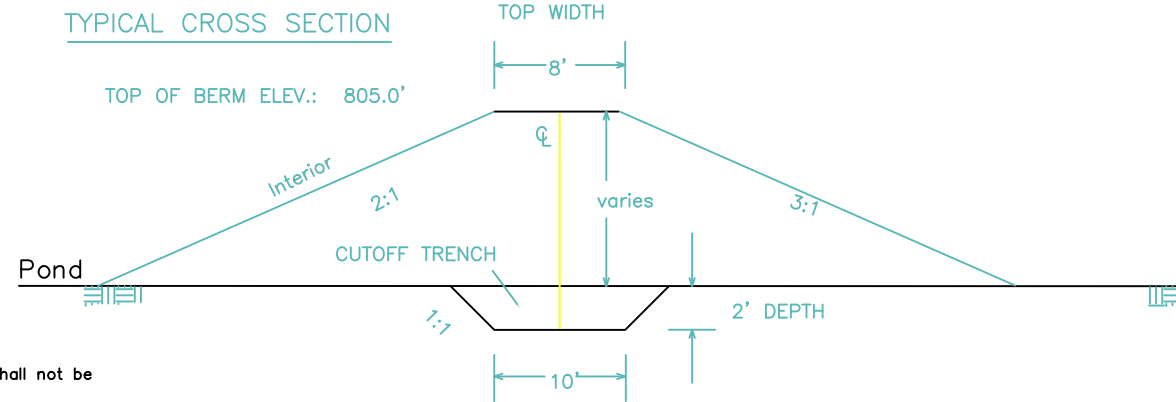
Lance Horning
 Engineering
 Corvallis, OR 97333
 (509) 595-8990

DESIGNED BY: LH
 DRAWN BY:
 CHECKED BY:
 APPROVED BY:
 REVISED BY:
 SCALE:
 DATE:
 REVISED DATE: 10/28/16

Triangle Road Shallow Aquifer Recharge Project
 Walla Walla Basin Watershed Council
 Milton Freewater, OR

SIGNATURE: _____

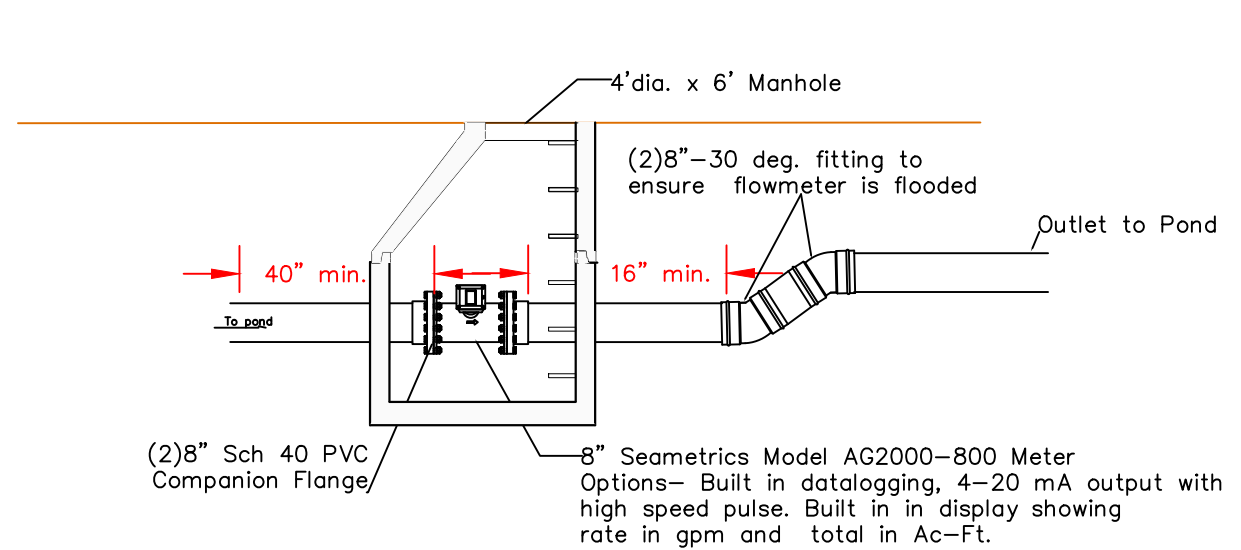
SHEET: 2
 SHEET NO. 2 OF 4



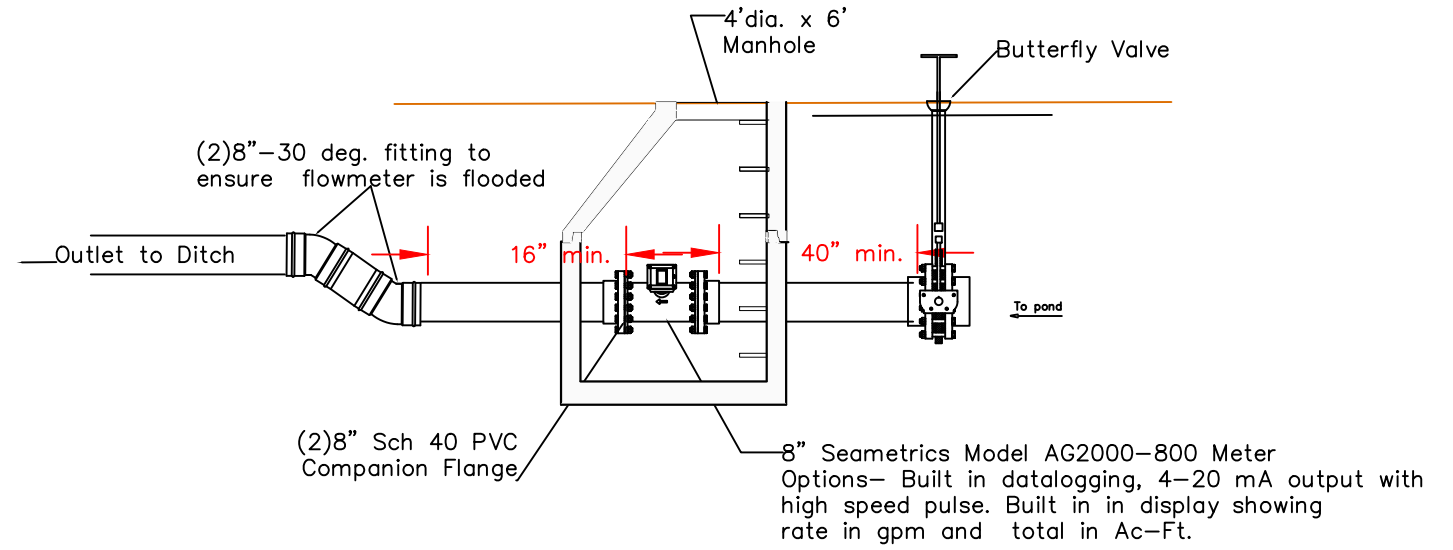
- Notes—
- 1) Organic materials shall not be used in the berm.
 - 2) Berm shall be compacted in 6" lifts to 95% Proctor.
 - 3) Contractor responsible to add water as required for compaction.

Berm— Section View

Pond Embankment



Flowmeter Vault #1



Flowmeter Vault #2

Details 1

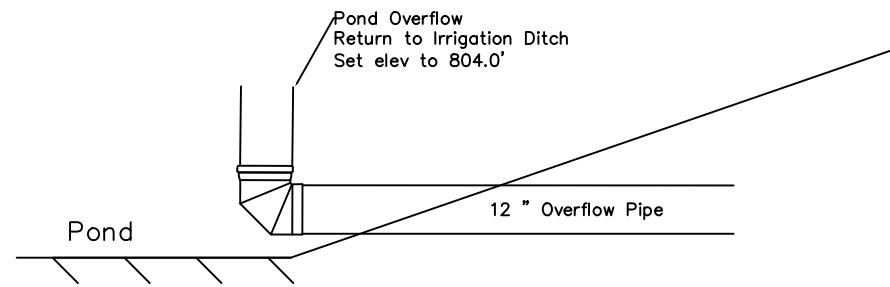
Lance Horning
Engineering
Corvallis, OR 97333
(509) 595-8990

DESIGNED BY: LH
DRAWN BY: _____
CHECKED BY: _____
APPROVED BY: _____
REVISED BY: _____
SCALE: _____
DATE: _____
REVISED DATE: 10/28/16

Triangle Road Shallow Aquifer Recharge Project
Walla Walla Basin Watershed Council
Milton Freewater, OR

SIGNATURE: _____

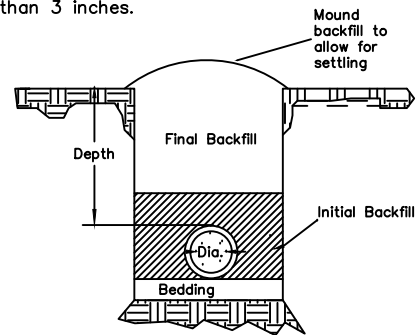
SHEET: 3
SHEET NO. 3 OF 4



Pond Overflow

Construction Notes

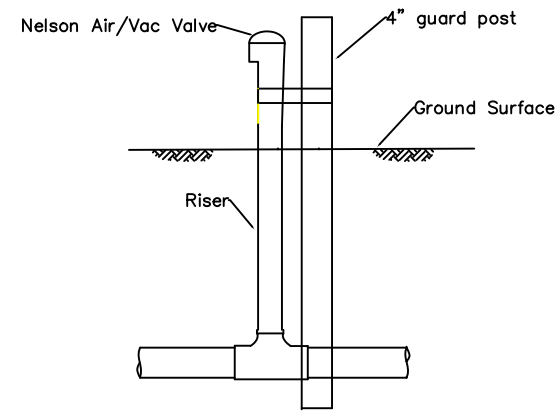
- 1) Bedding shall be used on foundations containing materials larger than 3/4" inch.
- 2) The initial backfill material shall consist of soil or granular material that is free from rocks greater than 3/4" in diameter.
- 3) The final backfill shall be free from material larger than 3 inches.



Pipe Specifications:
 Diameter (Dia.) = 8" & 12" PVC
 Min. Pressure Rating 80 psi
 Minimum Burial = 3"

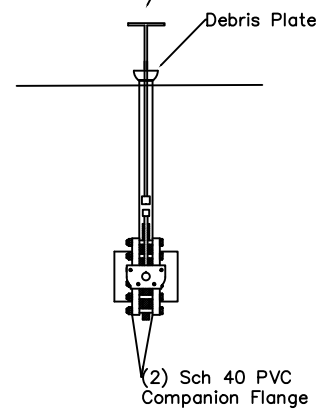
Drawing is not to Scale.

Trench Detail

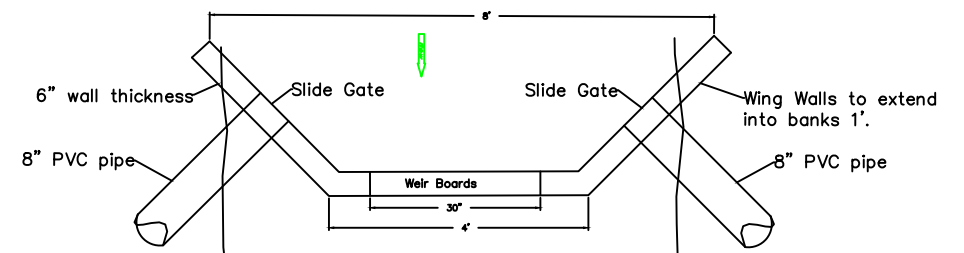


Air Vent

Wafer Style, Direct Bury
 Butterfly Valve w/sleeved extension
 to ground surface.

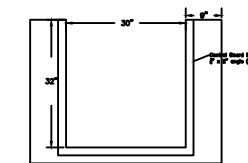


Butterfly Valve

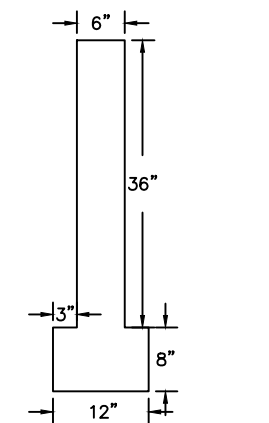


Control Structure- Plan View

Notes-
 #4 Rebar 12" OCBW



Control Board Section



Section View