

LOCATION MAP

Mud Creek Shallow Aquifer Recharge Project Walla Walla Basin Watershed Council

INDEX OF DRAWINGS

SHEET NO.	TITLE
1	Cover Sheet & Location Map
2	Plan View
3	Details 1

GENERAL NOTES

1. The attached Material and Installation Specifications are part of this plan and shall govern the installation of this project.
2. This installation shall be constructed to the lines and grades as shown on the drawings and detailed in the construction specifications.
3. Construction activities shall be performed in a manner that minimizes soil, water, and air pollution.
4. Construction activities will be conducted in a manner consistent with all safety regulations for work activities necessary for this installation.
5. No representation is made of any utilities, public or private. Absence of utilities on these drawings does not assure that no utilities are present. If buried utilities are shown, the location and depth are approximate. The exact location and depth of any utility must be determined by the utility company prior to any excavation.
6. Contractor is responsible for acquiring and complying with all permits.

UTILITIES

Oregon State Law requires Owners and Operators to notify utilities two business days before construction begins to have underground utilities located. To comply with the law call the Utilities Underground Location Center at: 1-800-332-2344

Review and Acceptance

I have reviewed the Drawings and Construction specifications provided and find them to be acceptable for installation. I also acknowledge that any modifications shall be approved by the Engineer prior to installation. I also acknowledge that I have received a copy of this plan.

Owner

Date

Cover Sheet

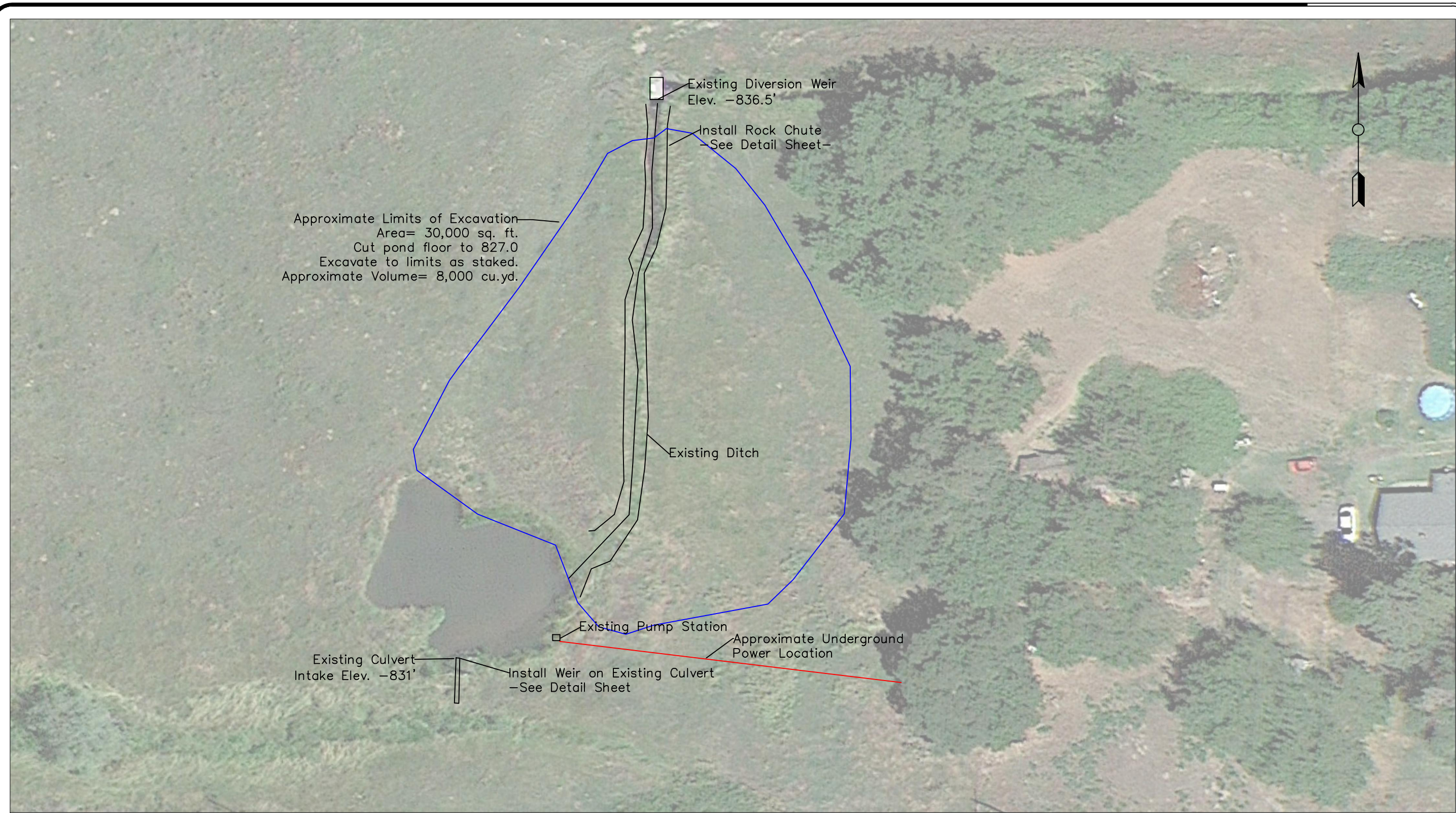
Lance Horning
Engineering
Corvallis, OR 97333
(509) 595-8990

DESIGNED BY: _____
DRAWN BY: _____
CHECKED BY: _____
APPROVED BY: _____
REVISED BY: _____
SCALE: _____
DATE: _____
REVISED DATE: _____

Mud Creek Recharge Project
Walla Walla Basin Watershed Council
Milton Freewater, OR

SIGNATURE: _____

SHEET: 1
SHEET NO. 1 OF 3



Approximate Limits of Excavation
 Area= 30,000 sq. ft.
 Cut pond floor to 827.0
 Excavate to limits as staked.
 Approximate Volume= 8,000 cu.yd.

Existing Diversion Weir
 Elev. -836.5'

Install Rock Chute
 -See Detail Sheet-

Existing Ditch

Existing Pump Station

Approximate Underground
 Power Location

Existing Culvert
 Intake Elev. -831'

Install Weir on Existing Culvert
 -See Detail Sheet

Plan View

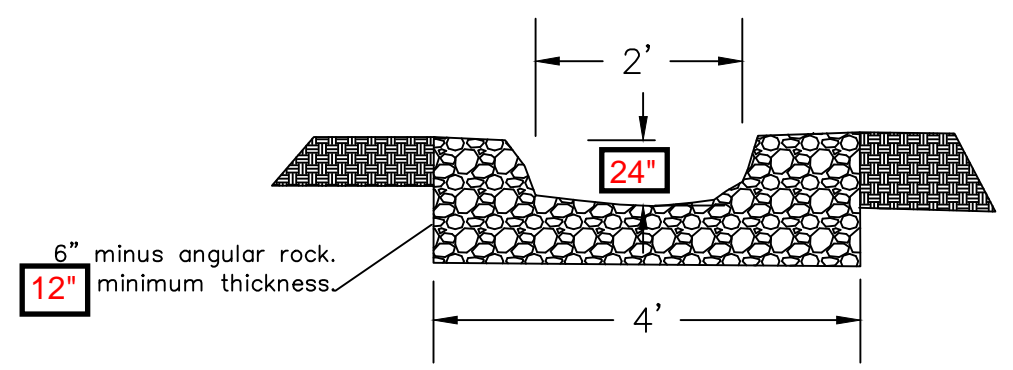
Lance Horning
 Engineering
 Corvallis, OR 97333
 (509) 595-8990

DESIGNED BY: _____
 DRAWN BY: _____
 CHECKED BY: _____
 APPROVED BY: _____
 REVISED BY: _____
 SCALE: _____
 DATE: _____
 REVISED DATE: _____

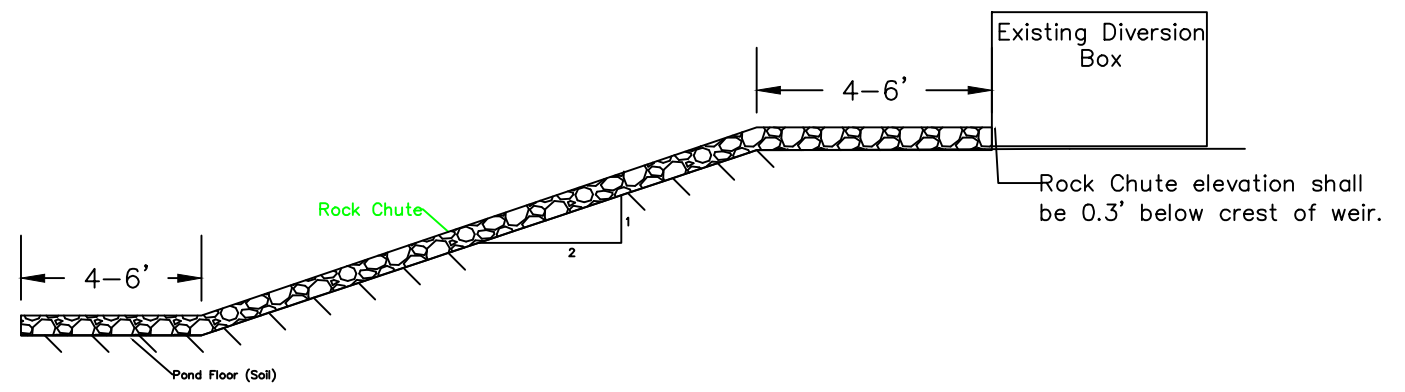
Mud Creek Recharge Project
 Walla Walla Basin Watershed Council
 Milton Freewater, OR

SIGNATURE: _____

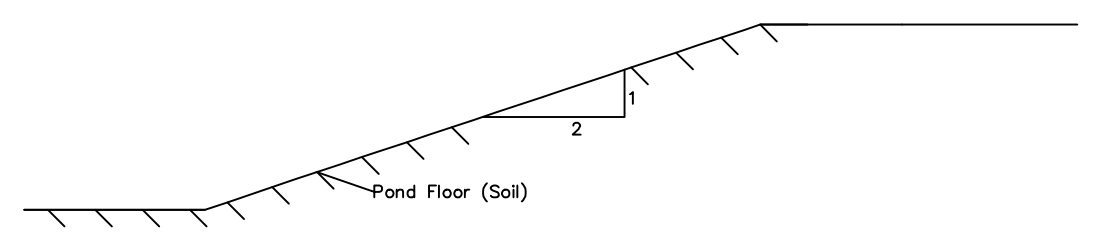
SHEET: 2
 SHEET NO. 2 OF 3



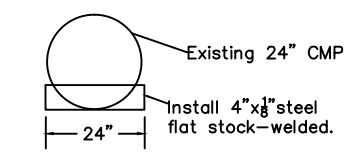
Rock Chute- Section View



Rock Chute Profile



Pond Side Slope Requirements



Weir- Existing culvert

Details 1

Lance Horning
Engineering
Corvallis, OR 97333
(509) 595-8990

DESIGNED BY: _____
DRAWN BY: _____
CHECKED BY: _____
APPROVED BY: _____
REVISED BY: _____
SCALE: _____
DATE: _____
REVISED DATE: _____

Mud Creek Recharge Project
Walla Walla Basin Watershed Council
Milton Freewater, OR

SIGNATURE: _____

SHEET: 3
SHEET NO. 3 OF 3