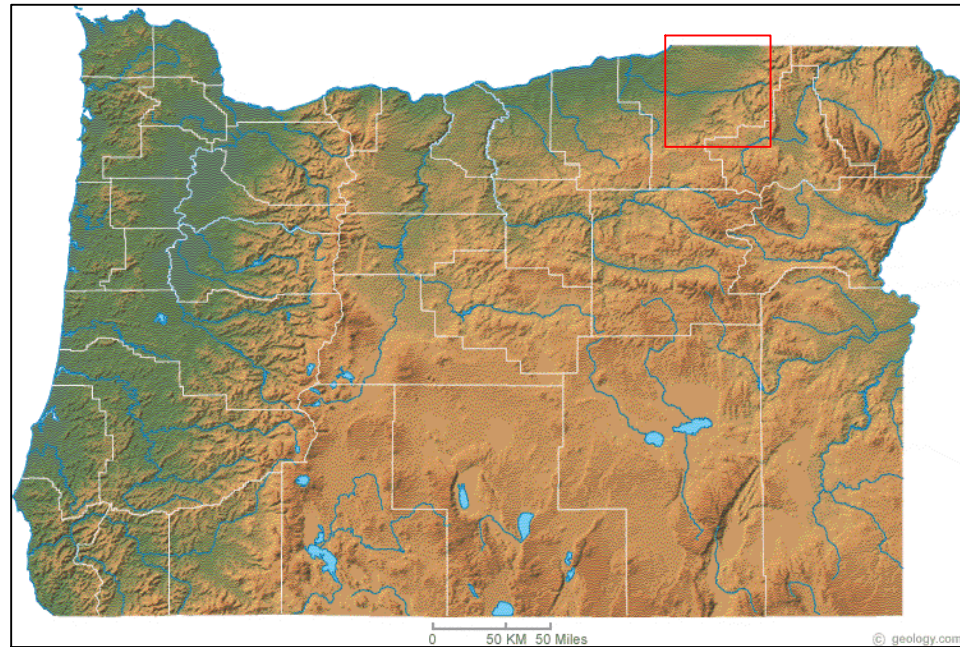


Chuckhole Shallow Aquifer Recharge Project Walla Walla Basin Watershed Council



LOCATION MAP

INDEX OF DRAWINGS

SHEET NO.	TITLE
1	Cover Sheet & Location Map
2	Plan View
3	Details 1
4	Details 2
5	Details 3
6	Details 4

GENERAL NOTES

1. The attached Material and Installation Specifications are part of this plan and shall govern the installation of this project.
2. This installation shall be constructed to the lines and grades as shown on the drawings and detailed in the construction specifications.
3. Construction activities shall be performed in a manner that minimizes soil, water, and air pollution.
4. Construction activities will be conducted in a manner consistent with all safety regulations for work activities necessary for this installation.
5. No representation is made of any utilities, public or private. Absence of utilities on these drawings does not assure that no utilities are present. If buried utilities are shown, the location and depth are approximate. The exact location and depth of any utility must be determined by the utility company prior to any excavation.
6. Contractor is responsible for acquiring and complying with all permits.

UTILITIES

Oregon State Law requires Owners and Operators to notify utilities two business days before construction begins to have underground utilities located. To comply with the law call the Utilities Underground Location Center at: 1-800-332-2344

Review and Acceptance

I have reviewed the Drawings and Construction specifications provided and find them to be acceptable for installation. I also acknowledge that any modifications shall be approved by the Engineer prior to installation. I also acknowledge that I have received a copy of this plan.

Owner

Date

Cover Sheet

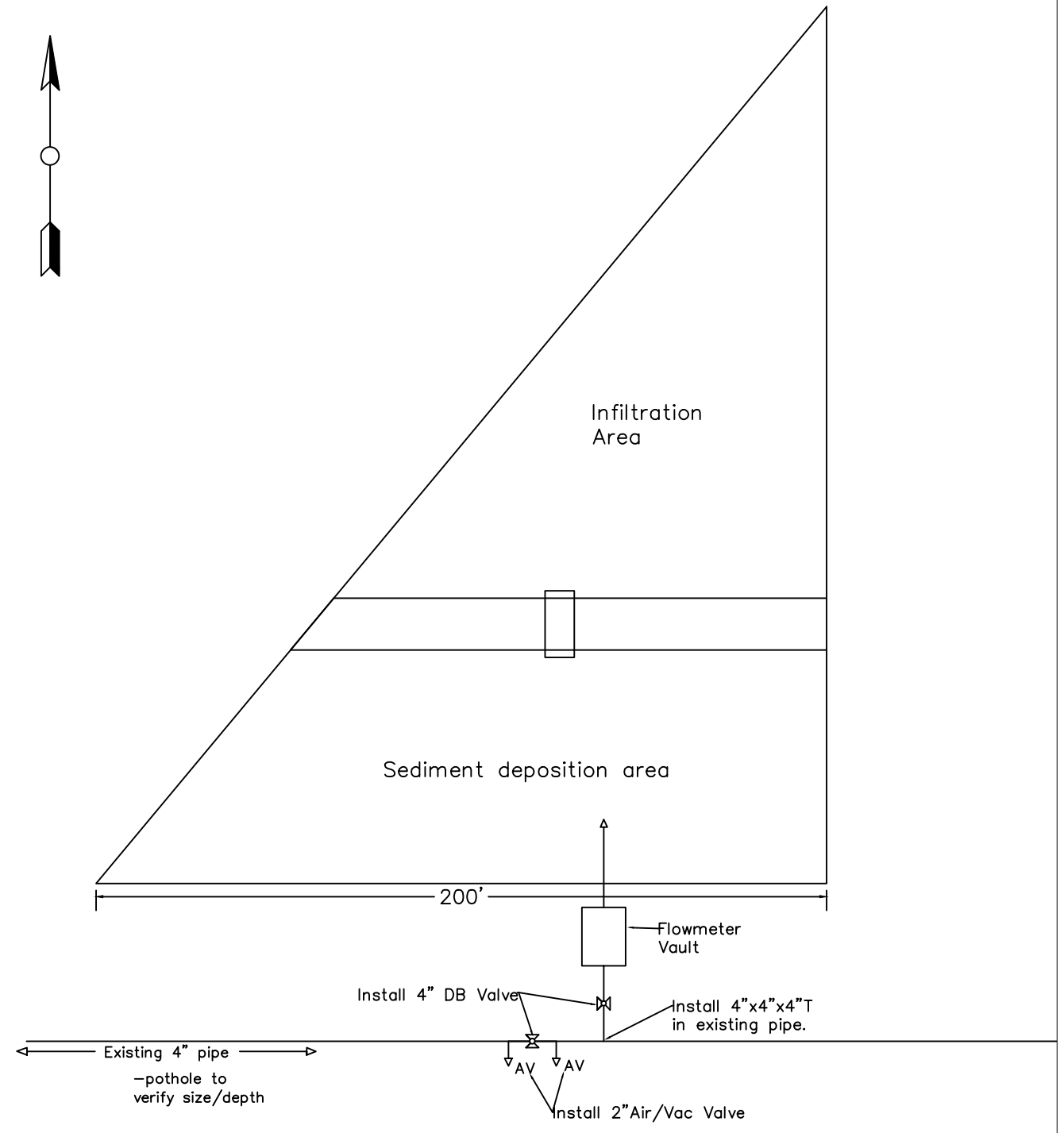
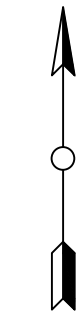
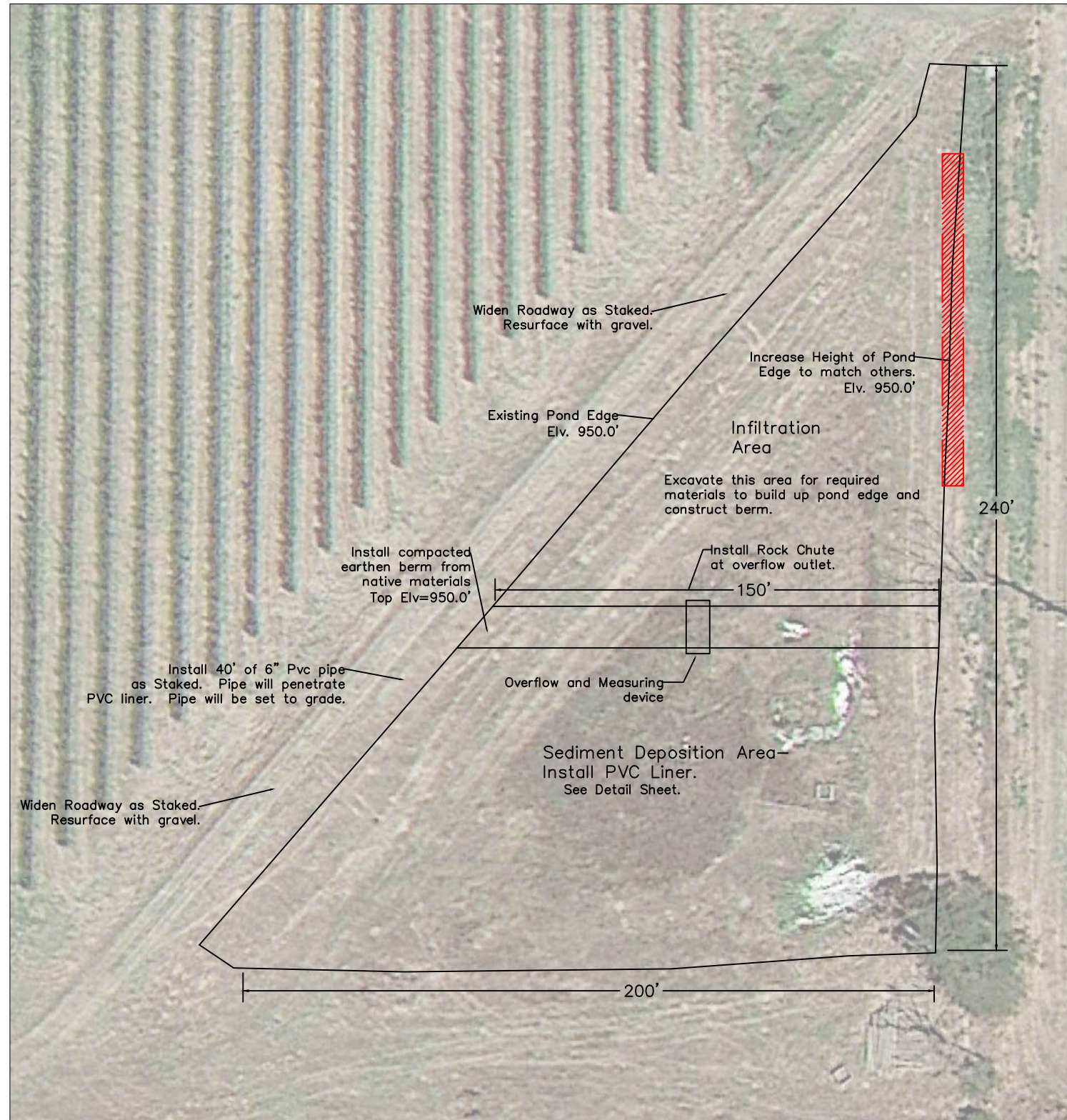
Lance Horning
Engineering
Corvallis, OR 97333
(509) 595-8990

DESIGNED BY: _____
DRAWN BY: _____
CHECKED BY: _____
APPROVED BY: _____
REVISED BY: _____
SCALE: _____
DATE: _____
REVISED DATE: _____

Chuckhole Shallow Aquifer Recharge Project
Walla Walla Basin Watershed Council
Milton Freewater, OR

SIGNATURE: _____

SHEET: 1
SHEET NO. 1 OF 6



--All pipe, valves and fittings shall have at least the same pressure rating as existing materials.--

Plan View

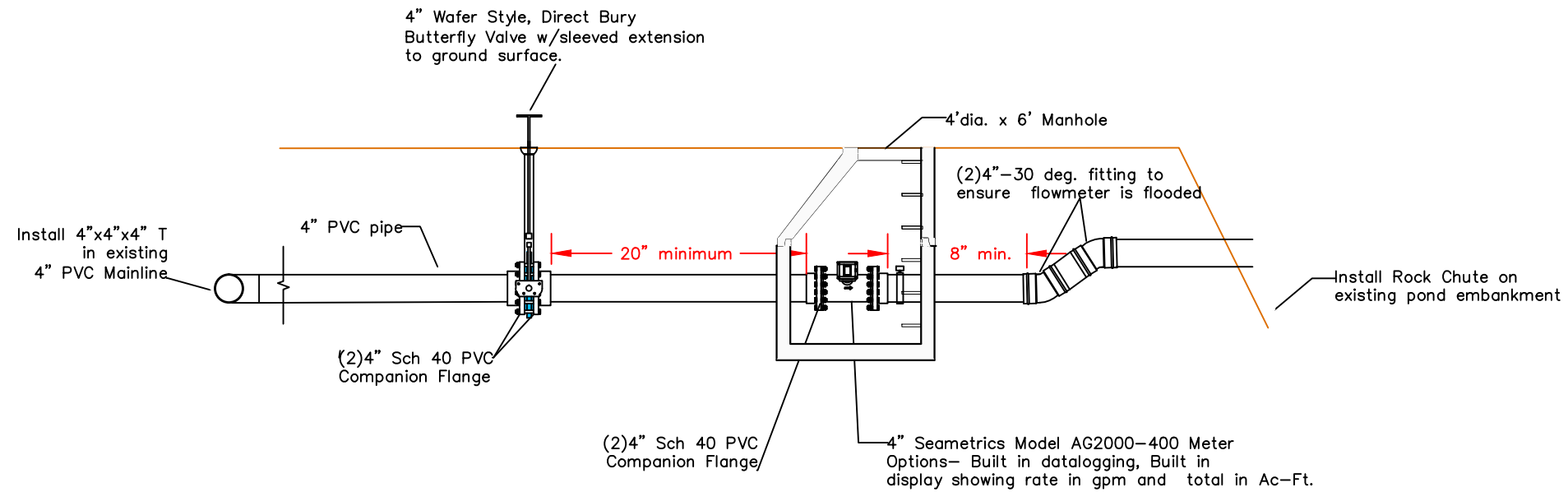
Lance Horning
Engineering
Corvallis, OR 97333
(509) 595-8990

DESIGNED BY: _____
DRAWN BY: _____
CHECKED BY: _____
APPROVED BY: _____
REVISED BY: _____
SCALE: _____
DATE: _____
REVISED DATE: _____

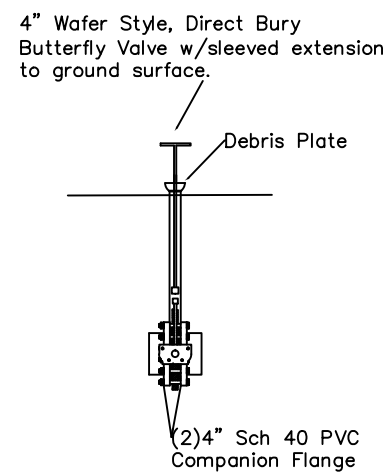
Chuckhole Shallow Aquifer Recharge Project
Walla Walla Basin Watershed Council
Milton Freewater, OR

SIGNATURE: _____

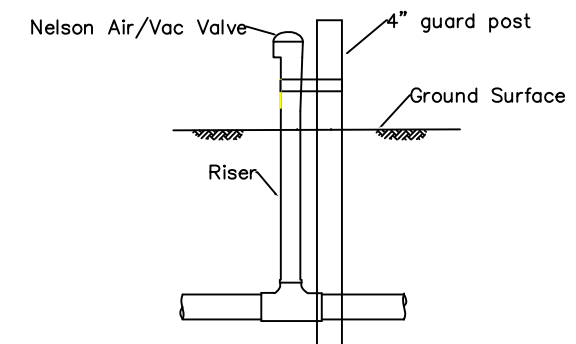
SHEET: 2
SHEET NO. 2 OF 6



Flowmeter Vault



Butterfly Valve



Air Vent

Details 1

Lance Horning
Engineering
Corvallis, OR 97333
(509) 595-8990

DESIGNED BY: _____
DRAWN BY: _____
CHECKED BY: _____
APPROVED BY: _____
REVISED BY: _____
SCALE: _____
DATE: _____
REVISED DATE: _____

Chuckhole Shallow Aquifer Recharge Project
Walla Walla Basin Watershed Council
Milton Freewater, OR

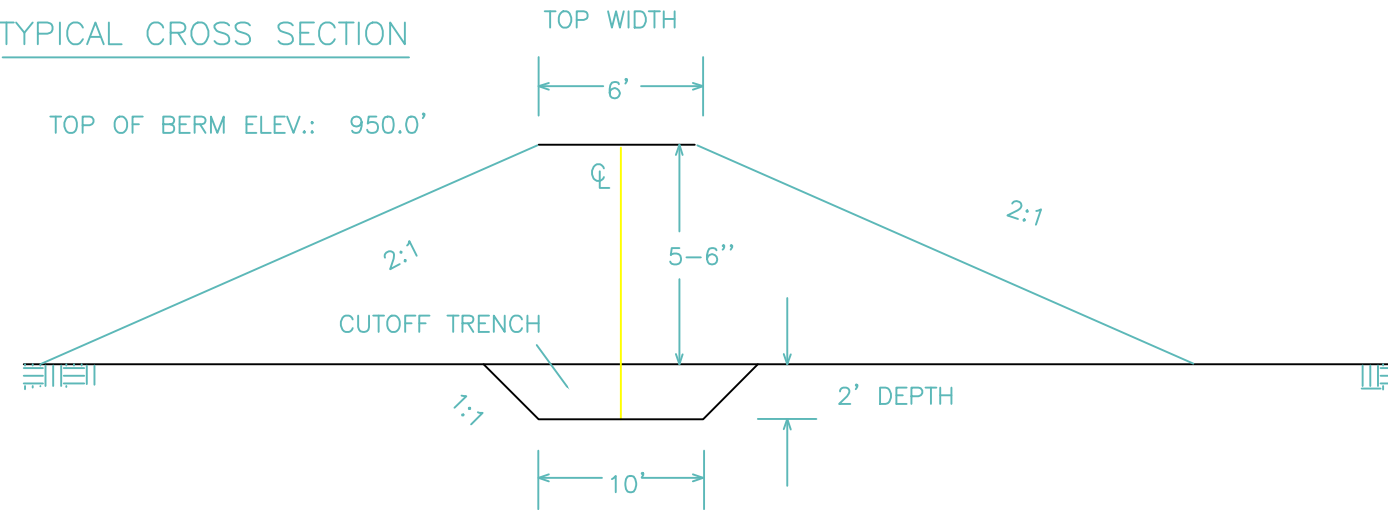
SIGNATURE: _____

SHEET: 3
SHEET NO. 3 OF 6

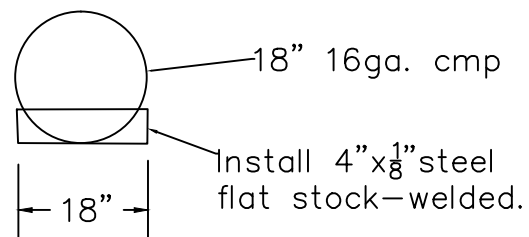
Notes-

- 1) Organic materials shall not be used in the berm.
- 2) Berm shall be compacted in 6" lifts to 95% Proctor.
- 3) Contractor responsible to add water as required for compaction.

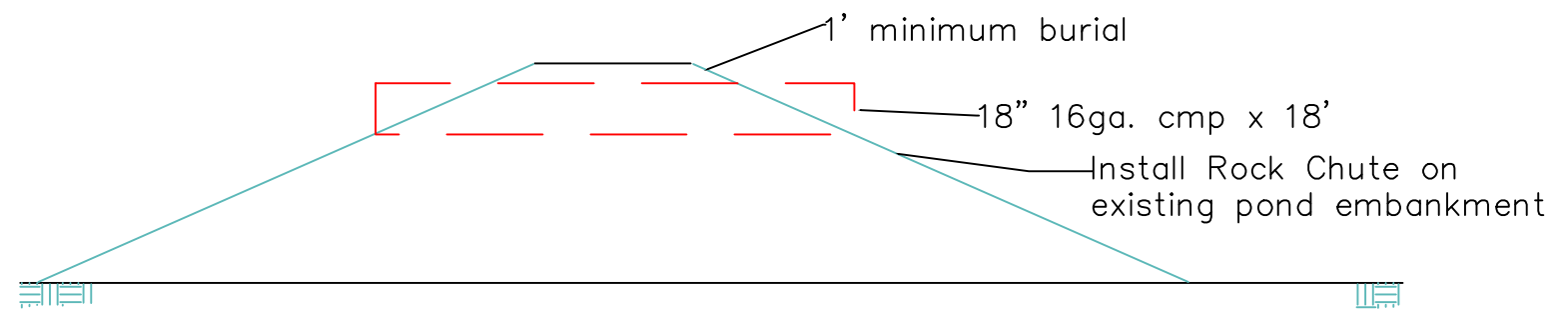
TYPICAL CROSS SECTION



Berm - Section View



Overflow Culvert with Weir



Overflow - Section View

Details 2

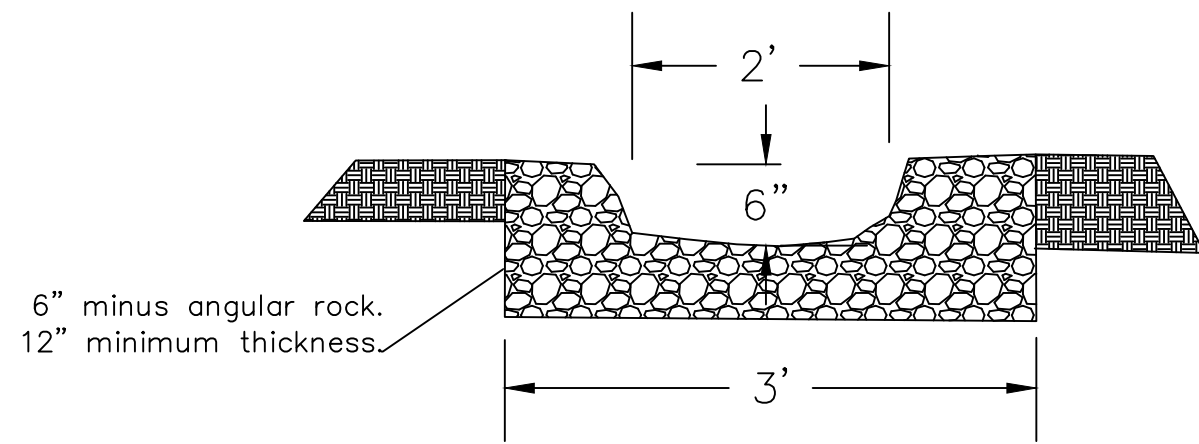
Lance Horning
Engineering
Corvallis, OR 97333
(509) 595-8990

DESIGNED BY: _____
DRAWN BY: _____
CHECKED BY: _____
APPROVED BY: _____
REVISED BY: _____
SCALE: _____
DATE: _____
REVISED DATE: _____

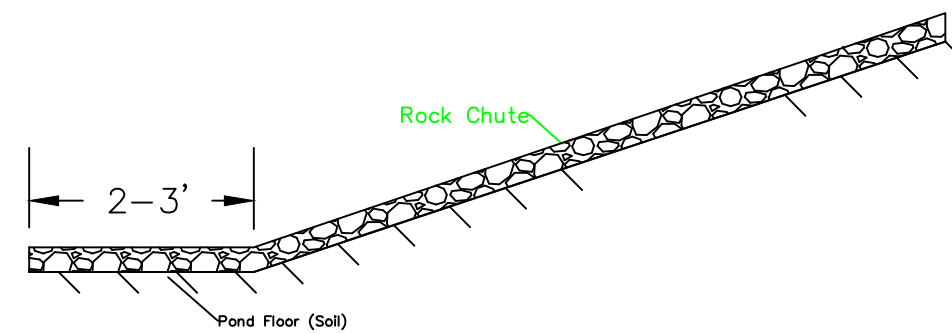
Chuckhole Shallow Aquifer Recharge Project
Walla Walla Basin Watershed Council
Milton Freewater, OR

SIGNATURE: _____

SHEET: 4
SHEET NO. 4 OF 6



Rock Chute- Section View



Rock Chute Profile

Details 3

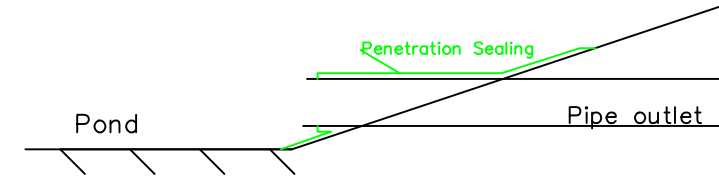
Lance Horning
Engineering
Corvallis, OR 97333
(509) 595-8990

DESIGNED BY: _____
DRAWN BY: _____
CHECKED BY: _____
APPROVED BY: _____
REVISED BY: _____
SCALE: _____
DATE: _____
REVISED DATE: _____

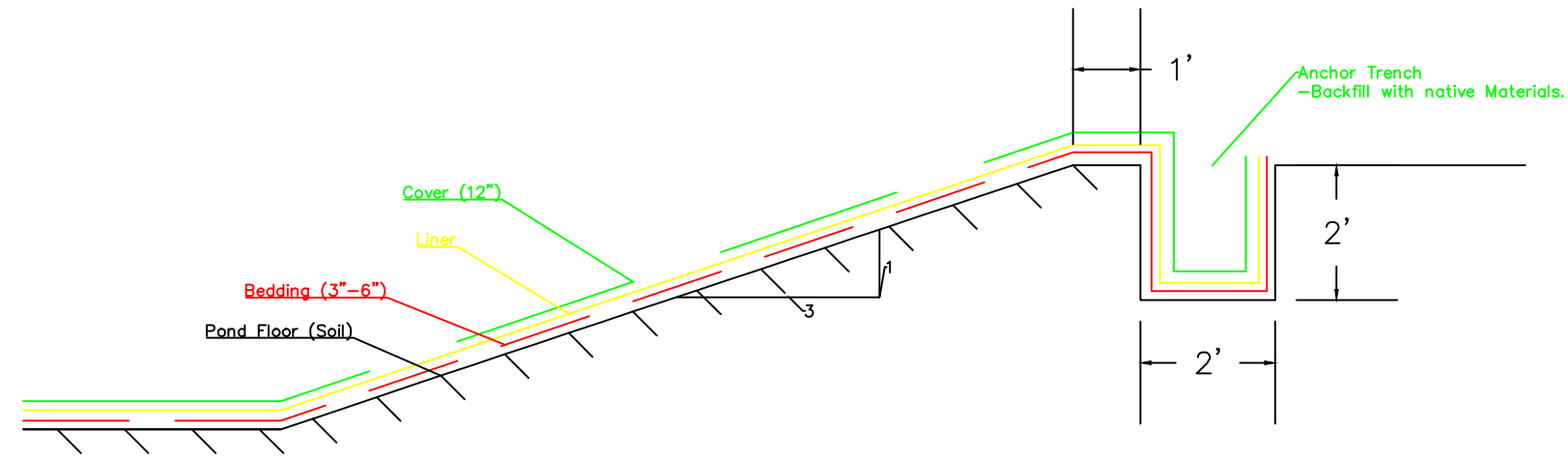
Chuckhole Shallow Aquifer Recharge Project
Walla Walla Basin Watershed Council
Milton Freewater, OR

SIGNATURE: _____

SHEET: 5
SHEET NO. 5 OF 6



Typical Liner Penetration



PVC Liner Details

Liner Details:

1. Remove organic materials.
2. Excavate 1' of materials and stockpile for use as cover materials (If Acceptable).
3. Grade side slopes to 3:1(or flatter).
4. If sharp materials are present in sub-grade materials bedding shall be installed. Project manager shall determine if bedding is required.
5. Liner shall be PVC 30 mil. Liner size shall be determined after sub-grade is completed.
6. Install liner to manufacturer's recommendations.
7. Install 12" of cover materials. Stockpiled materials may be used if acceptable.

Details 4

Lance Horning
Engineering
Corvallis, OR 97333
(509) 595-8990

DESIGNED BY: _____
DRAWN BY: _____
CHECKED BY: _____
APPROVED BY: _____
REVISED BY: _____
SCALE: _____
DATE: _____
REVISED DATE: _____

Chuckhole Shallow Aquifer Recharge Project
Walla Walla Basin Watershed Council
Milton Freewater, OR

SIGNATURE: _____

SHEET: 6
SHEET NO. 6 OF 6